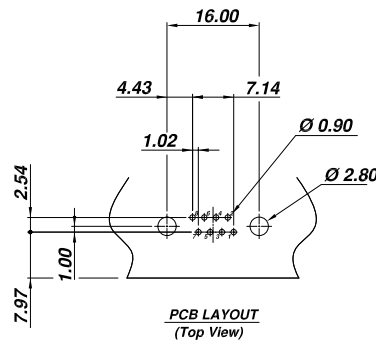
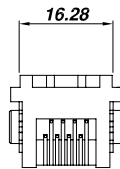
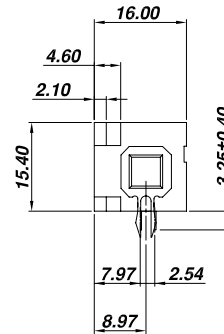
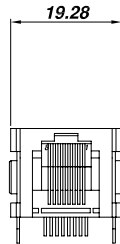


RoHS Compliant



SPECIFICATION :

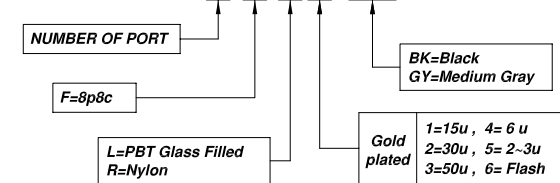
1. Electrical Char.

Insulation Resistance : 500M-Ohm Min. 500V DC. for 1 minute.
 Contact Resistance : 30milli-Ohm Max.
 Rating Current : 1.5A Max.
 Rating Voltage : 150V AC.
 Dielectric Voltage : 1,000 Vrms at 1MA 60 Sec. Min.

2. Physical char.

Housing (Option) : For Waving Soldering Process
 PBT Glass Filled (UL 94V-0),Soldering Temperature:235°C for 5 Sec.
 Nylon (UL 94V-0),Soldering Temperature:260°C for 5 Sec.
 Color : Black / Medium Gray Color
 Spring Wire :
 0.45mm Dia. Phosphor bronze Gold Plating Over Nickel
 Temperature Range : - 40°C / +85°C
 Durability : 750 Mating cycles Min.

AJ-030S-1-F-XX-XX-M



ALLSUN CORPORATION
 9FL,NO.292 SEC.7 CHENG TEH ROAD.TAIPEI TAIWAN.
 E - mail Address : allsun@globalsources.com

TITLE 1x1 8 Positions
 RJ11 or RJ12 SIDE ENTRY PCB GANG JACK
 UL & cUL FILE NO. E131820

MODULAR JACKS ASSY FOR
AJ-030S-1-F-XX-XX-M

SCALE SIZE DWG. NO. 9680 SERIES

| NOT SCALED DRAWING | TOLERANCE UNLESS OTHERWISE NOTICE | INCH | MM | DR. | DATE |
|----------------------------|-----------------------------------|------------|---------------------------------------|----------------|------------|
| THIRD ANGLE PROJECTION | LINEAR | MM INCH | .00±0.01 .000±0.005 .0000±0.002 | Steven CK'D | MAY-31 '13 |
| | ANGLE +0° 30' | RADII | +0.45 -0.15 | John APP'D | MAY-31 '13 |
| MM INCH | | | | Billy | MAY-31 '13 |

DWG. NO.

AST030A19-1