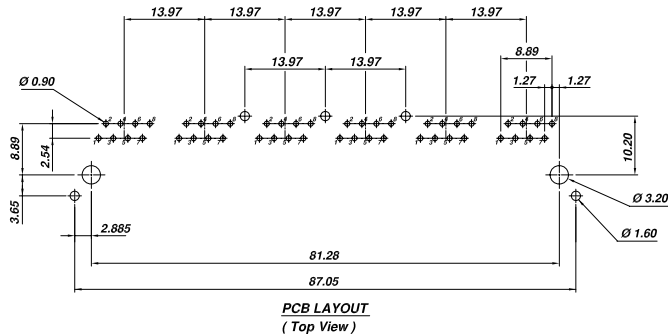
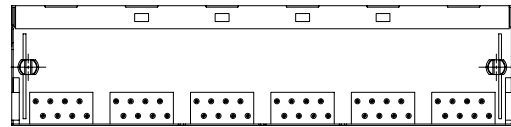
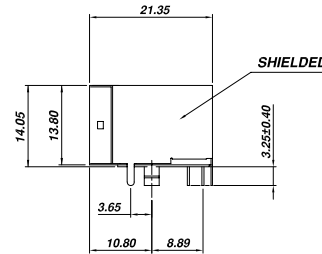
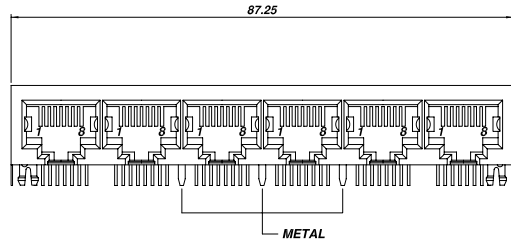


RoHS Compliant



SPECIFICATION :

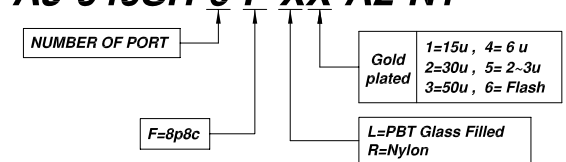
1. Electrical Char.

Insulation Resistance : 500M-Ohm Min. 500V DC. for 1 minute.
 Contact Resistance : 30milli-Ohm Max.
 Rating Current : 1.5A Max.
 Rating Voltage : 150V AC.
 Dielectric Voltage : 1,000 Vrms at 1MA 60 Sec. Min.

2. Physical char.

Housing (Option) : For Waving Soldering Process
 PBT Glass Filled (UL 94V-0),Soldering Temperature:245°C for 5 Sec.
 Nylon (UL 94V-0),Soldering Temperature:260°C for 5 Sec.
 Color : Black Color
 Spring Wire :
 0.45mm Dia Phosphor Bronze Gold Plating Over Nickel
 Shielded : Brass Plating Nickel
 Temperature Range : - 40°C / +85°C
 Durability : 750 Mating cycles Min.

AJ-040SH-6-F-XX-A2-N1



ALLSUN CORPORATION
 9FL,NO.292 SEC.7 CHENG TEH ROAD.TAIPEI TAIWAN.
 E - mail Address : allsun@globalsources.com

TITLE
 1x6 8POSITIONS
 SIDE ENTRY SHIELDED PCB GANG JACK
 UL & cUL FILE NO. E131820

MODULAR JACKS ASSY FOR
AJ-040SH-6-F-XX-A2-N1

SCALE SIZE DWG. NO. 9690-S SERIES

DWG. NO.

AST040B55-1

NOT SCALED DRAWING	TOLERANCE UNLESS OTHERWISE NOTICE	INCH	MM	DR. <i>Steven</i>	DATE MAY-31 '13
THIRD ANGLE PROJECTION	LINEAR	.00±0.01 .000±0.005 .0000±0.002	.00±0.25 .000±0.13 .0000±0.05	CK'D <i>Johnn</i>	MAY-31 '13
	ANGLE +0° 30'	RADII	+0.45 -0.15	APP'D <i>Billy</i>	MAY-31 '13